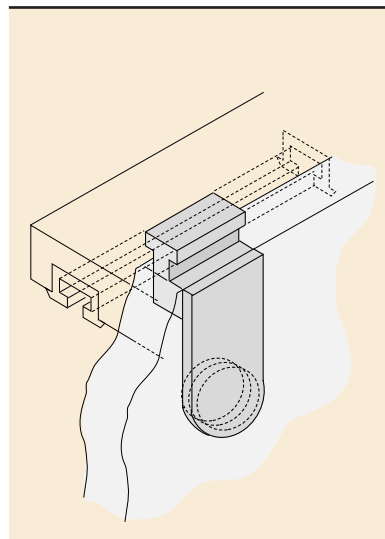


CHAPTER 8

MÜLLER Fissaggio



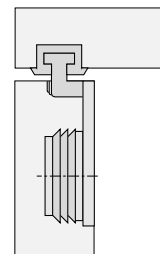
Slidings



Sliding system for furniture boxes with internal panel doors

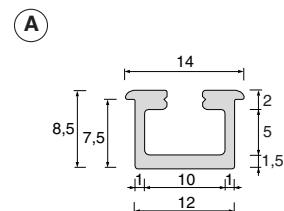
- For light panel doors
- 14 kg capacity
- Anodized aluminium profile
- Nylon wheels

Lateral application



Drilled profile each 12 cm.
Special finishing to help the sliding.

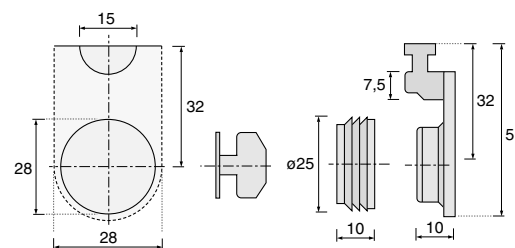
Type	Code
A	3035 004 001



Sliding removable wheels,
fixing rear of the panel, minimum thickness
of the small panel door 13 cm.

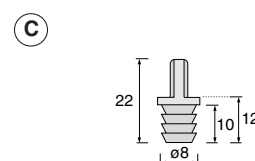
Type	Code
B	3035 004 010

(B) Drilling plan

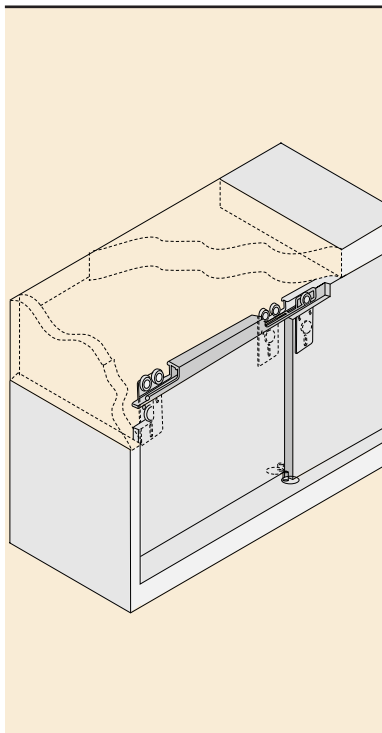


Lower track with thimble fixing by pressure

Type	Code
C	3035 004 025

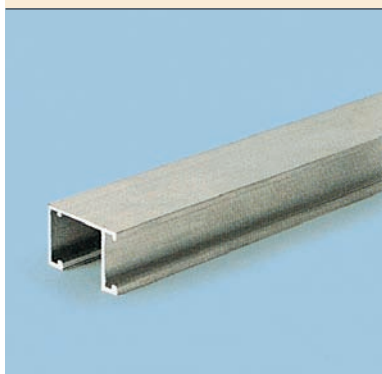
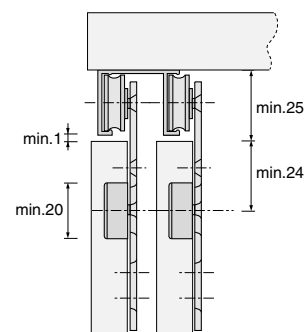


Slidings



Sliding system for furniture boxes with internal panel doors

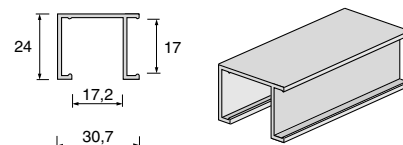
- For light panel doors of 18-20/25 mm thickness
- 20/40 kg capacity
- Anodized aluminium profile
- Nylon covered ball bearings



Upper anodized aluminium profile

- 6 meters length

(A)



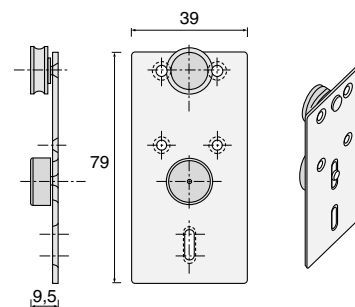
Type	Code
A	3035 004 060



Adjustable roller with one bearing wheel

- 20 kg capacity
- 18-20 mm thickness panel doors

(B₁)



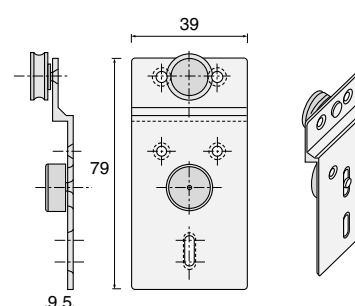
Type	Code	
B1	3035 004 061	Normal
B1	3035 004 071	Brass pivot for stop brake



Folded adjustable roller with one bearing wheel

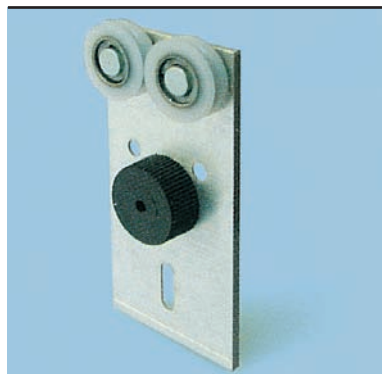
- 20 kg capacity
- 25 mm thickness panel doors

(B₂)



Type	Code	
B2	3035 004 062	Normal
B2	3035 004 072	Brass pivot for stop brake

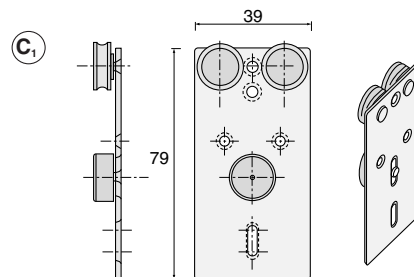
Slidings



Adjustable roller with 2 bearing wheels

- 40 kg capacity
- 18-20 mm panel doors thickness

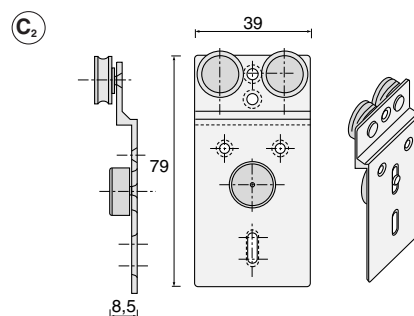
Type	Code	
C1	3035 004 063	Normal
C1	3035 004 073	Brass pivot for stop brake



Folded adjustable roller with 2 bearing wheels

- 40 kg capacity
- 25 mm panel doors thickness

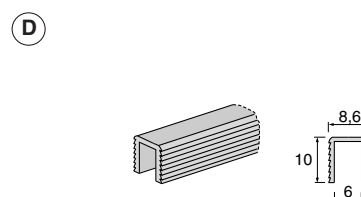
Type	Code	
C2	3035 004 064	Normal
C2	3035 004 074	Brass pivot for stop brake



Lower nylon profile

- 2 meters length
- Black color

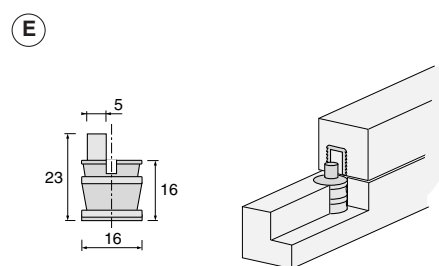
Type	Code
D	3035 001 050



Lower guide with adjustable thimble

- Black color

Type	Code
E	3035 004 065

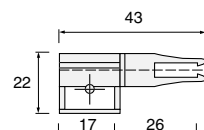


Nylon stop brake

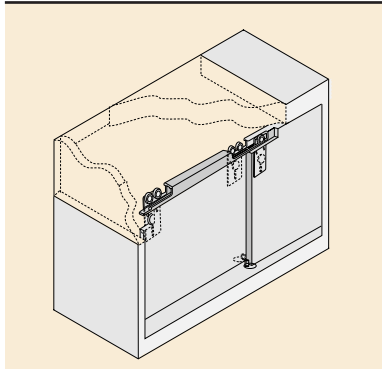
- Black color

N.B. A brass pivot to fix the stop brake will be added to rollers B1, B2, C1, C2.

Type	Code
Right brake	3035 001 042
Left brake	3035 001 043

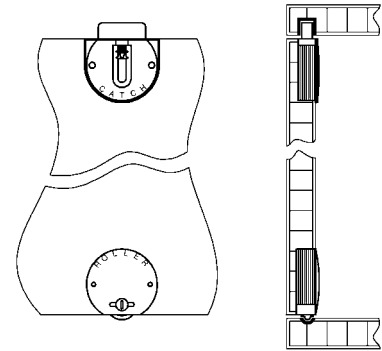


Slidings



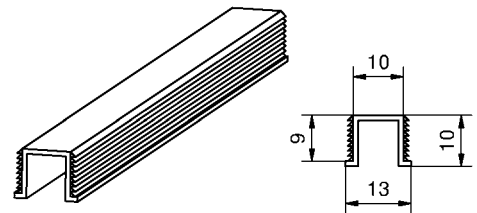
Sliding system for furniture boxes with internal panel doors

- Nylon wheels and profiles
- 16 mm light panel doors thickness maximum 25 kg capacity



Upper nylon profile

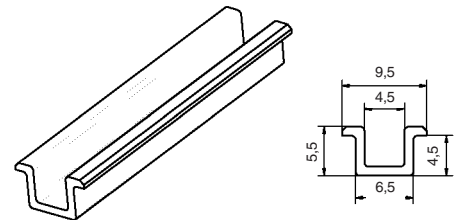
- Fixing by pressure
- 3.60 meters bars length



Color finishing	Code
White	3035 004 003
Brown	3035 004 002

Lower nylon profile

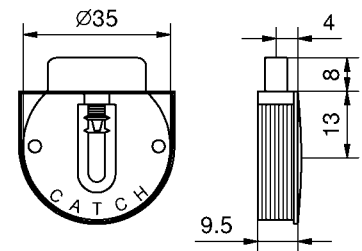
- Fixing by pressure
- 3.60 meters bars length



Color finishing	Code
White	3035 004 005
Brown	3035 004 004

Upper wheel, adjustable to 5 or 8 mm

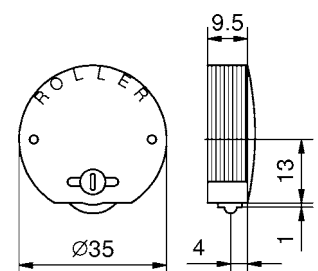
- Fixing by pressure



Ø	Code
35	3035 004 006

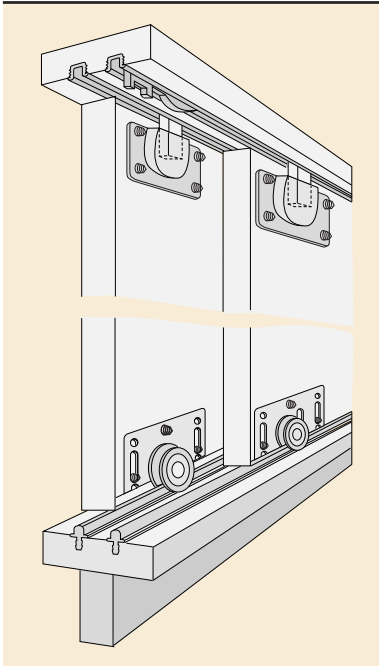
Lower roller with vertical regulation

- From minimum 0.2 mm to maximum 1.8 mm with 0.4 mm increments
- Fixing by pressure



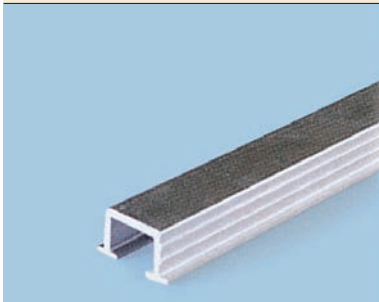
Ø	Code
35	3035 004 007

Slidings



Sliding system for furniture boxes with internal panel doors

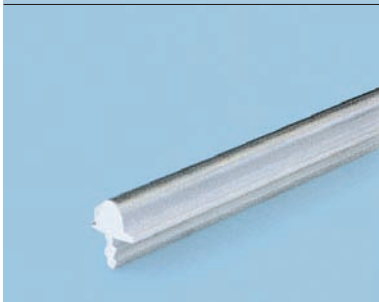
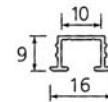
- 60 kg capacity
- 18-20/25 mm panel doors thickness



Upper profile

- Type A and B aluminium 3 meters length bars.
- Type C in black nylon 2 meters length bars

Type	Finishing	Code
A	Aluminium	3035 002 503
B	Black aluminium	3035 002 508
C	Black nylon	3035 002 501



Lower profile

- Type A and B aluminium 3 meters length bars.
- Type C in black nylon 2 meters length bars

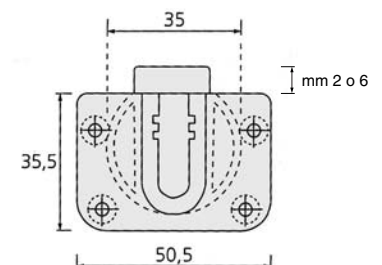
Type	Finishing	Code
A	Aluminium	3035 002 504
B	Black aluminium	3035 002 509
C	Black nylon	3035 002 502



Upper adjustable wheel to 2 or 6 mm

- Nylon

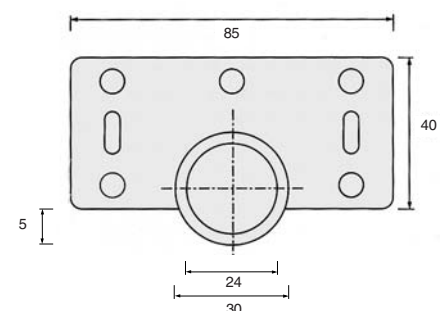
Type	Code
A	3035 002 506



Lower adjustable roller

- In painted metal and nylon covered bearing

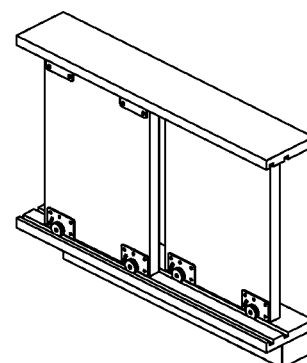
Type	Code
A	3035 002 505



Slidings

Sliding system for furniture boxes with internal panel doors

- 60 kg capacity
- 18-20-25 mm panel door thickness

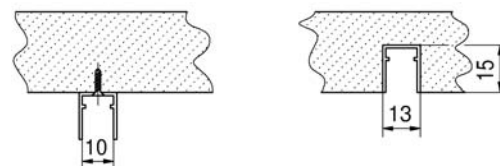


Upper anodized aluminium profile

- alluminio
- 3 meters length profile



Code **3035 83S DA3**

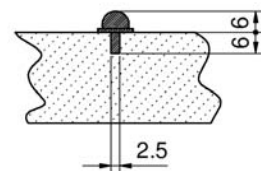


Lower anodized aluminium profile

- alluminio
- 3 meters length profile



Code **3035 83S DA4**

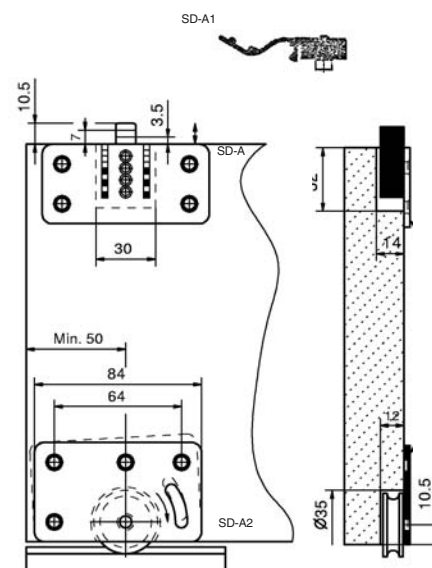


Adjustable panel door gasket

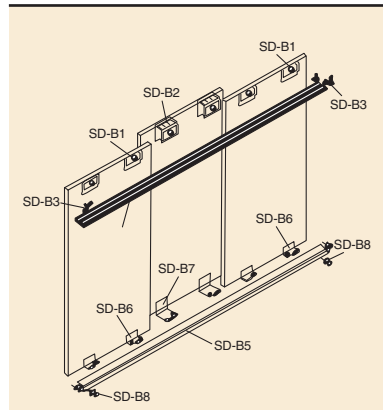


Composed by:
 n°2 SD-A upper snap wheel
 n°2 SD-A2 lower sliding with bearing
 n°2 SD-A1 stop brake

Code **3035 83S DA0**

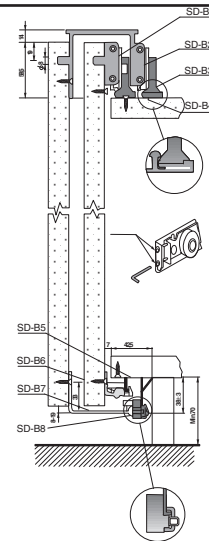


Slidings



Sliding system for furniture boxes with external panel doors

- 60 kg capacity
- From 19 mm to 26 mm panel doors thickness



Upper aluminium profile

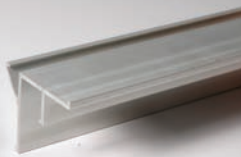
- 3 meters bars length



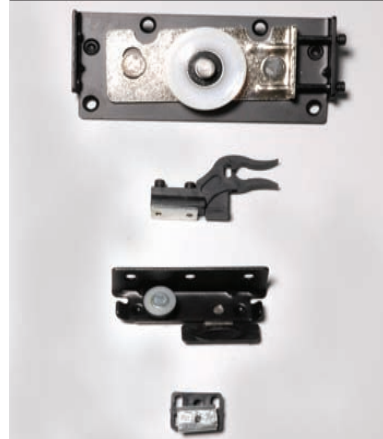
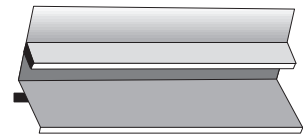
Code **3035 83S DB4**

Lower aluminium profile

- 3 meters bars length



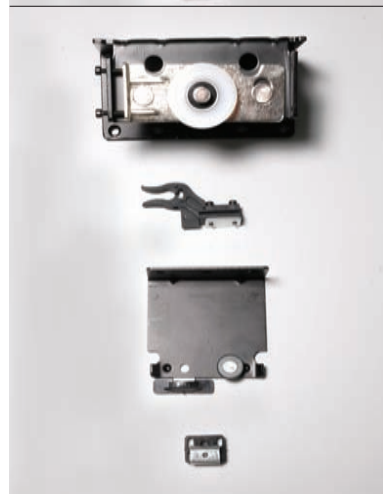
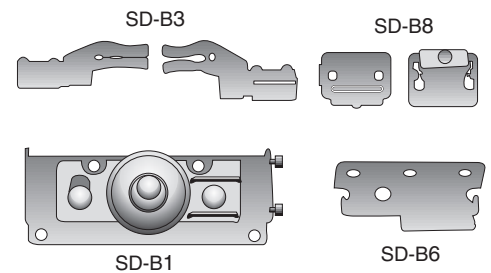
Code **3035 83S DB5**



Adjustable internal panel door gasket

- Composed by:
- n°2 SD-B1 upper sliding
 - n°2 SD-B6 lower wheel
 - n°2 SD-B3 upper stop brake
 - n°2 SD-B8 lower damper

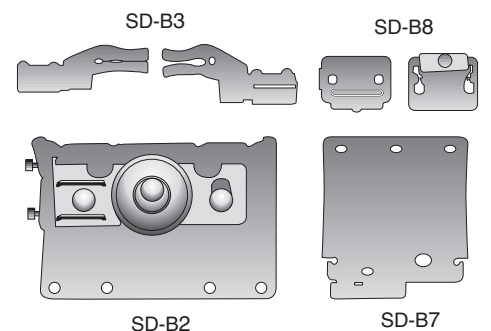
Code **3035 83S DBI**



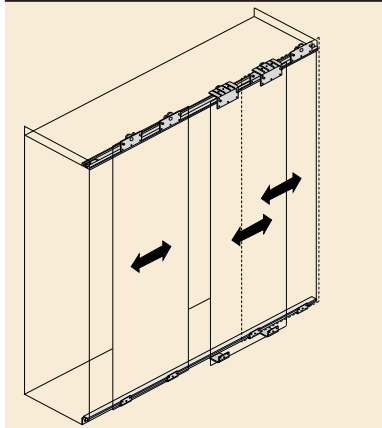
Adjustable external panel door gasket

- Composed by:
- n°2 SD-B2 upper sliding
 - n°2 SD-B7 lower wheel
 - n°2 SD-B3 upper stop brake
 - n°2 SD-B8 lower damper

Code **3035 83S DBE**



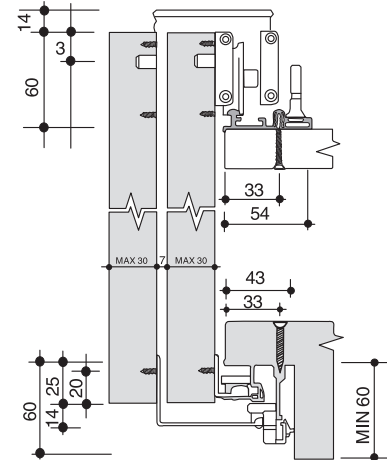
Slidings



Sliding system for furniture boxes with external panel doors

- 65 kg capacity
- Anodized aluminium profile:
 - this sliding system has innovative solutions which make easy the setup and lineup of the panel doors parallelism;
 - the anti-decoupling of the panel doors is guaranteed by special anti-blocking stop brakes;
 - 30 mm maximum panel doors thickness

N.B. There are also available rollers for 20 and 24 panel doors thickness



Upper anodized aluminium profile

- 6 meters bars length

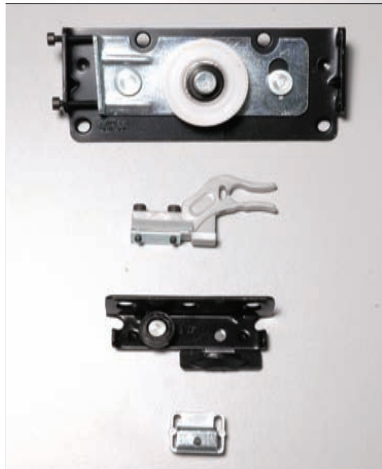
Type	Code
A	3035 820 001



Lower anodized aluminium profile

- 6 meters bars length

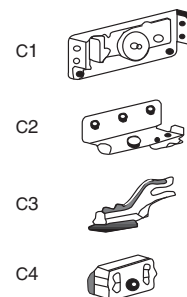
Type	Code
B	3035 820 021



Adjustable internal panel door gasket

- Composed by:
- n°2 C1 upper sliding
 - n°2 C2 lower wheel
 - n°2 C3 upper stop brake
 - n°2 C4 lower damper

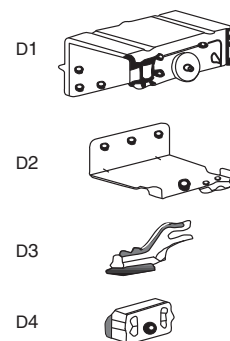
Type	Code
C	3035 820 034



Adjustable internal panel door gasket

- composta da:
- n°2 D1 upper sliding
 - n°2 D2 lower wheel
 - n°2 D3 upper stop brake
 - n°2 D4 lower damper

Type	Code
D	3035 823 056



Additional anti - derailment

Type	Code
E	3035 822 010

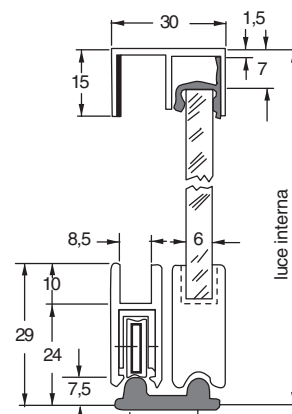


Slidings



Sliding system for furniture boxes with glass, with internal panel doors

• For 6 mm thickness glass

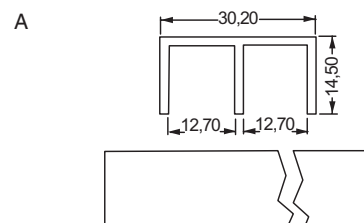


altezza del vetro = misura in luce - 31 mm



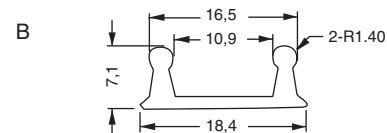
Upper anodized aluminium profile

Type	Finishing	Code
A	Plain aluminium	1100 A58 S00



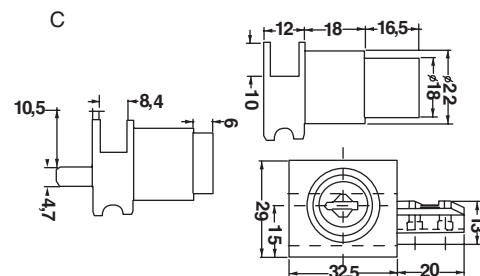
Lower aluminium profile

Type	Finishing	Code
B	Plain aluminium	1100 A57 S00



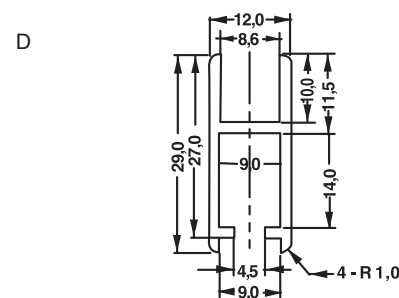
Lock with reversible thrust dx or sx

Type	Finishing	Code
C	Chrome	1100 C46 000



Anodized aluminium glass door profile

Type	Finishing	Code
D	Chrome	1100 A59 461

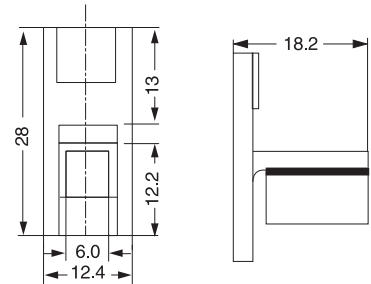


Slidings



Final stopper

E

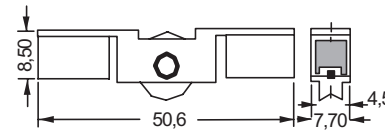


Type	Finishing	Code
E	Chrome	1100 A61 461



Wheel (Steel and Nylon)

F



Type	Code
F	1100 A60 461



Glazed door gasket

Type	Code
G	1100 A62 000

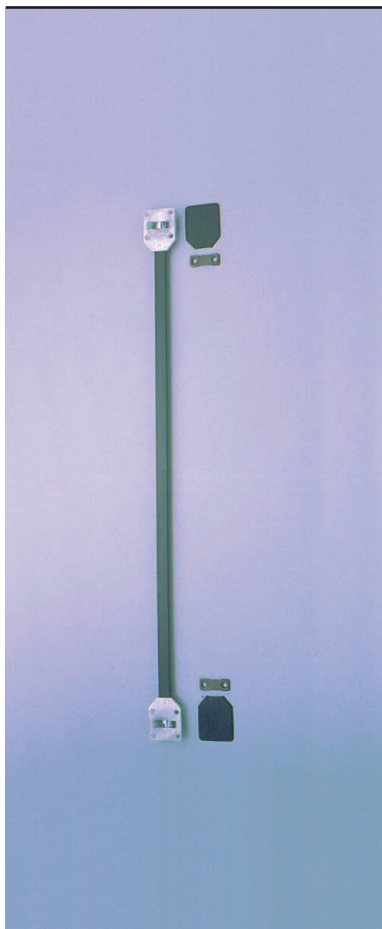
Materiale ABS



Noise damper to apply on the upper glass thickness

Type	Code
H	1100 A63 000

Slidings

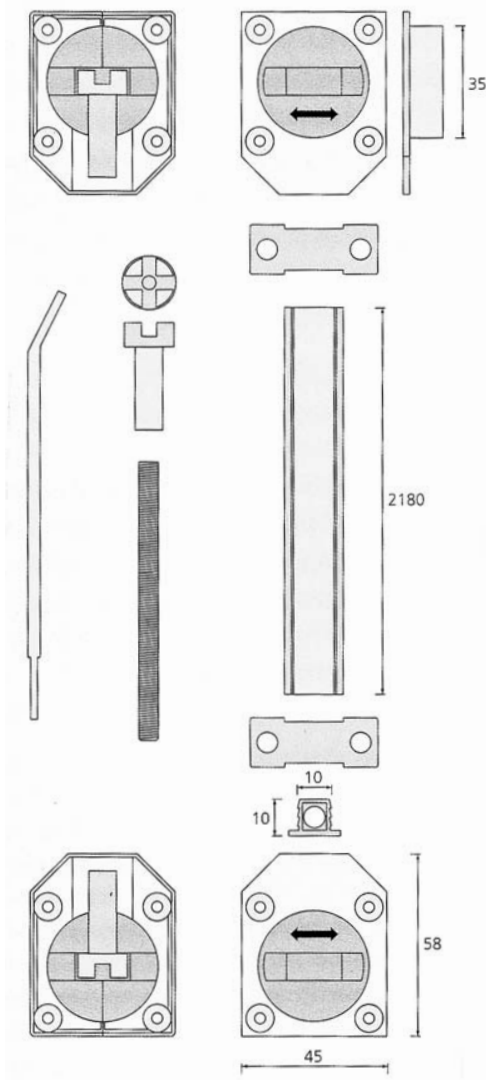


Dispositivo to straighten panel doors

- Steel and plastic

The device prevents the wood panel doors from getting deformed or bent because of large sizes or height.

To straighten the panel doors, use the special key allocated, rotating one of the two screws inside the small boxes to the end of the rod.



Complete kit for single panel doors

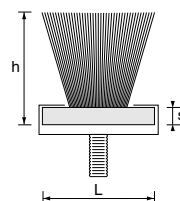
Finishing	Code
White	3050 012 010
Black	3050 012 011



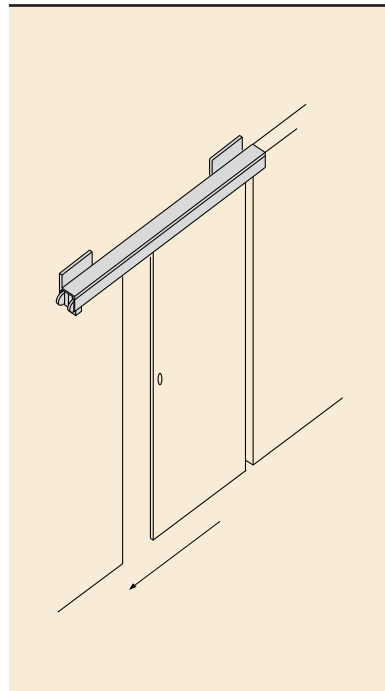
Brush gasket

- Black color
- 2.6 meter bars length

L	H	Code
7	12	3052 006 002



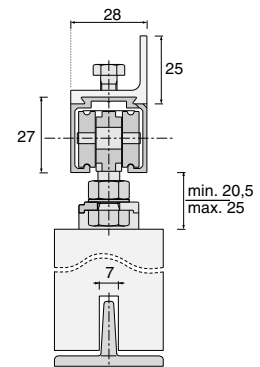
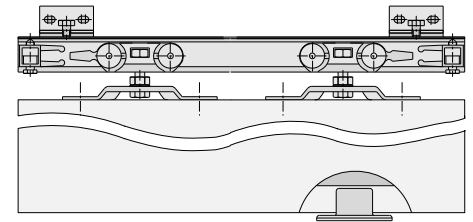
Slidings



Sliding system for doors

- Silver anodized aluminium profile
- Nylon wheels
- 80 kg capacity

max. 80 Kg



(A)

Upper silver anodized aluminium profile

- 6 meters bars length

Type	Code
A	3030 001 055



(B)

Complete Kit for one door

- Composed by:
- n° 2 sliding rollers type B
 - n° 2 door clamp brackets type C
 - n° 2 stop brakes type D
 - n° 1 lower guide type E



(C)



(D)



(E)

Type	Code
Kit	3030 001 009



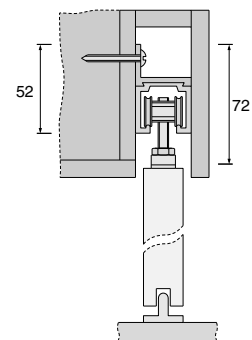
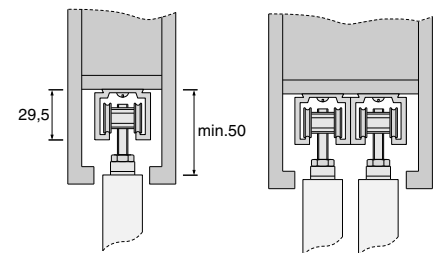
(F)

Clamp to fix on the wall

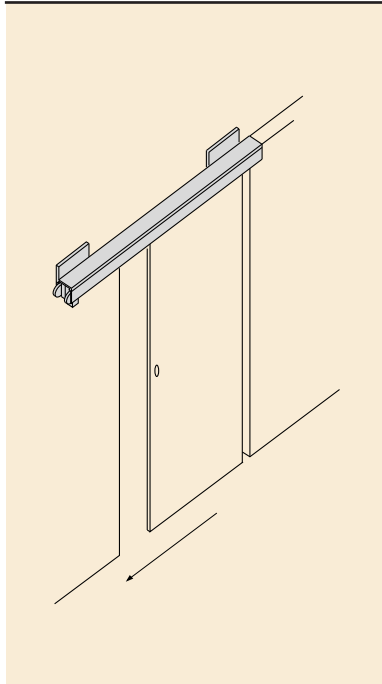
- Aluminium

Type	Code
F	3030 001 011

Examples



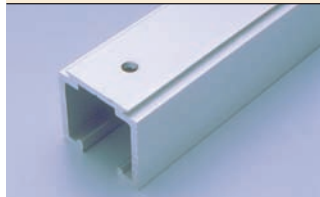
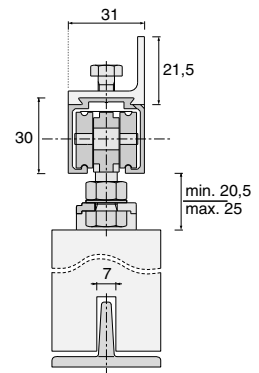
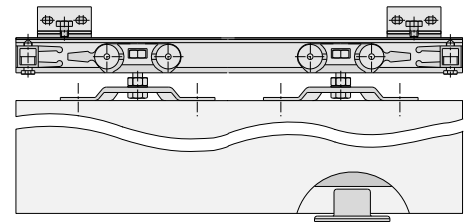
Slidings



Sliding system for doors

- Anodized aluminium profile
- Nylon wheels
- 160 kg capacity

max. 160 Kg



(A)

Upper silver anodized aluminium profile

- 6 meters bars length

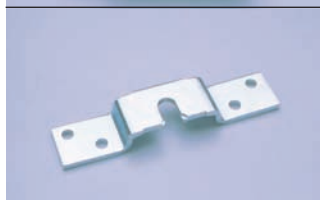
Type	Code
A	3030 001 004



(B)

Complete Kit for one door

- Composed by:
- n° 2 sliding rollers type B
 - n° 2 door clamp brackets type C
 - n° 2 stop brakes type D
 - n° 1 lower guides type E



(C)



(D)



(E)

Type	Code
Kit	3030 001 016



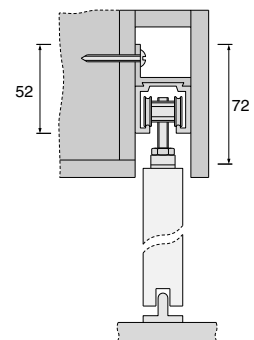
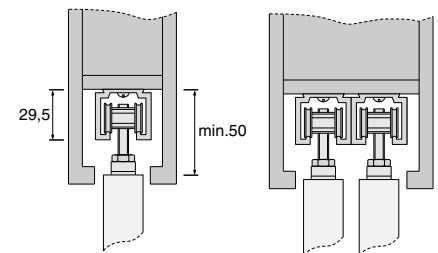
(F)

Clamp to fix on the wall

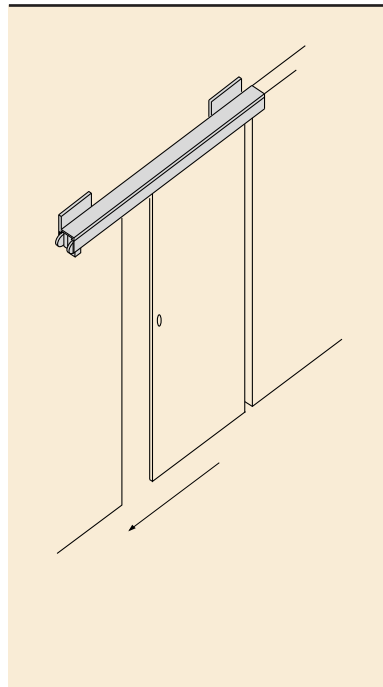
- Aluminium

Type	Code
F	3030 001 020

Examples



Slidings



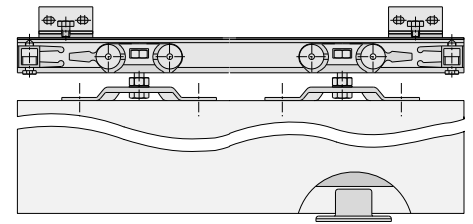
Sliding system for doors ECO series

- Silver anodized aluminium profile
- Nylon wheels

Type 1 with bushes -50 kg capacity

Type 2 with ball bearing -80 kg capacity

max. 50 / 80 kg



(A)

Upper silver anodized aluminium profile

- 6 meters length bars

Type	Code
A	3030 001 006



(B)

Complete kit for a door with bushes 50 kg capacity

- Composed by:
- n° 2 sliding rollers type B
 - n° 2 door clamp brackets type C
 - n° 2 stop brakes type D
 - n° 1 lower guide type E



(C)

Type	Code
1	3030 001 017



(D)

Complete kit for one door with ball bearings 80 kg capacity

- Composed by:
- n° 2 sliding rollers type B
 - n° 2 door clamp brackets type C
 - n° 2 stop brakes type D
 - n° 1 lower guide type E



(E)

Type	Code
2	3030 001 022



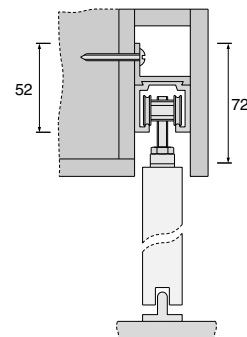
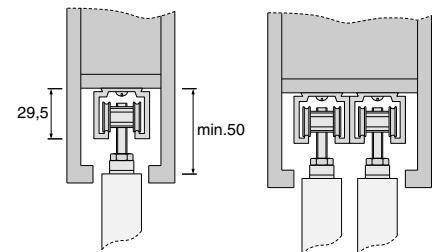
(F)

Clamp to fix on the wall

- Aluminium

Type	Code
F	3030 001 020

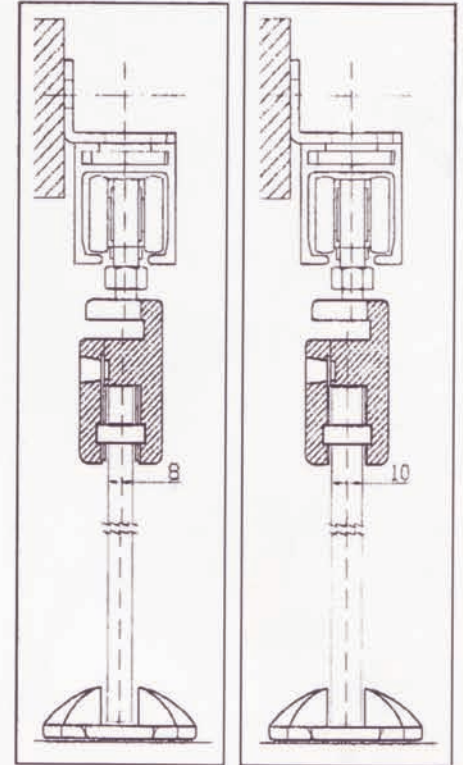
Examples



Sliding system for glass doors for 50-80-160 Kg capacity

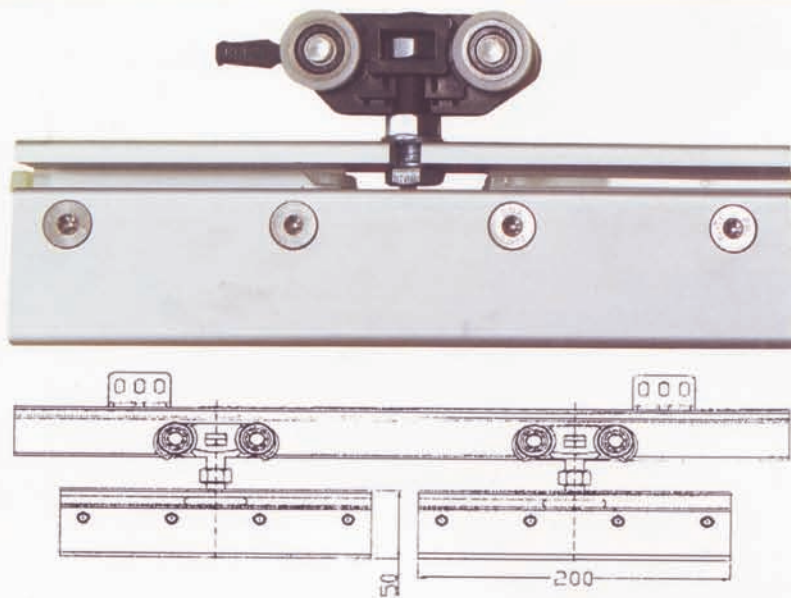


These clamps tighten glass of 6-8-10-12mm with and without holes to keep the glass with minimum space



DESCRIPTION	CODE
Aluminium profile 50 Kg capacity	3030 001 006
Aluminium profile 80 Kg capacity	3030 001 005
Aluminium profile 160 Kg capacity	3030 001 004

CODE	LENGHT
3030 001 087	120 mm.
3030 001 088	200 mm.

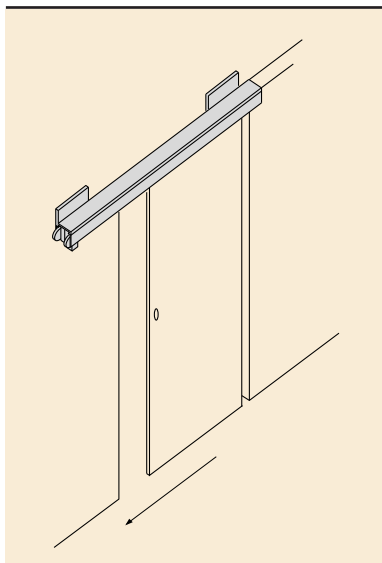


LENGHT	CODE
Kit for 50 Kg capacity door with lubricated bushes	3030 001 017
Kit for 80 Kg capacity door with needle bearing	3030 001 022
Kit for 80 Kg capacity door with ball bearing	3030 001 009
Kit for 160 Kg capacity door with ball bearing	3030 001 016

Lower guide

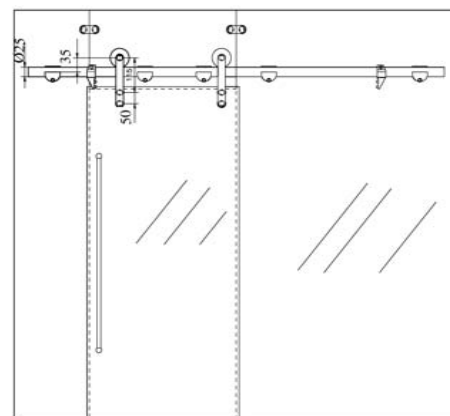


Slidings



Stainless steel sliding system for glass doors

- 80 kg capacity
- 10-12 mm glass thickness
- 2500 mm max highness
- 1200 mm max largeness



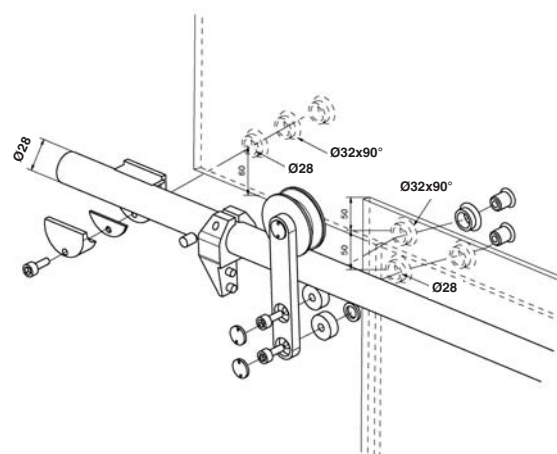
Stainless steel sliding door rod

Code	1100 166 0TA
------	--------------



Sliding roller for door

Fixing on glass



Bar support for fixing on the glass

Sliding kit for glazed door, fixing glass

- Composed by:
- n° 2 sliding rollers for door
 - n° 5 support for fixing on glass
 - n° 1 left stop brake
 - n° 1 right stop brake
 - n° 1 lower guide for door

Code	1100 166 0TO
------	--------------

Slidings



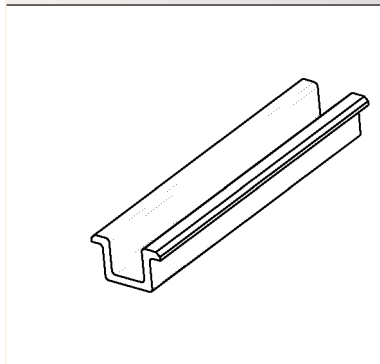
Bar support to fix on the wall



Left door stop

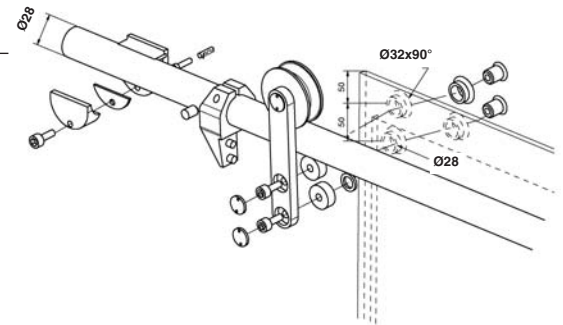


Right door stop



Lower guide 50 cm

Fixing on wall



Sliding kit for glazed door to fix on the wall

- Composed by:
- n° 2 sliding rollers for door
 - n° 5 bar supports to fix on the wall
 - n° 1 left stop brake
 - n° 1 right stop brake
 - n° 1 lower door guide

Code	1100 166 0WO
------	---------------------