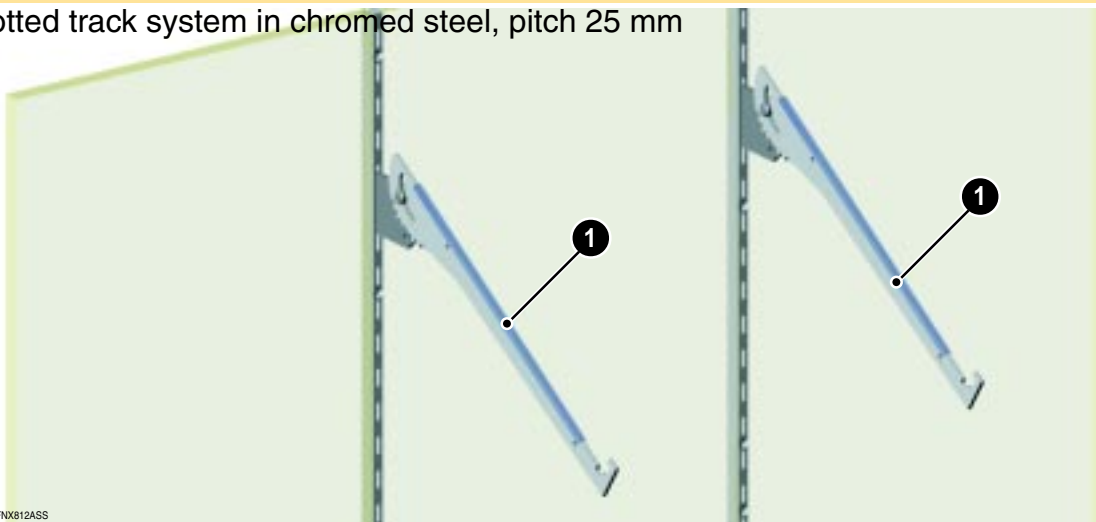
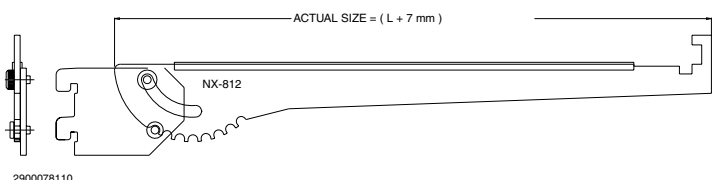

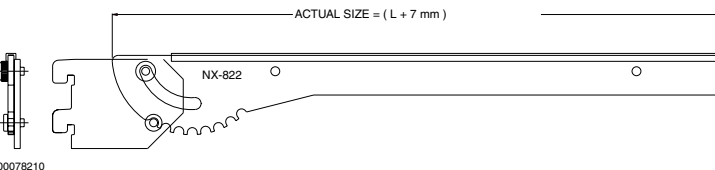

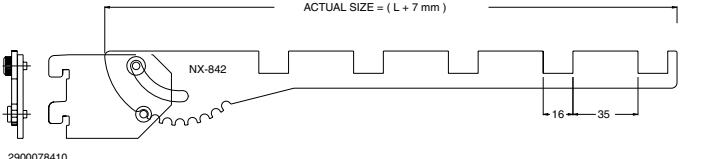



SISTEMA A CREMAGLIERA VERTICALE IN ACCIAIO CROMATO PASSO 25mm

Slotted track system in chromed steel, pitch 25 mm



LM1001-FNX812ASS

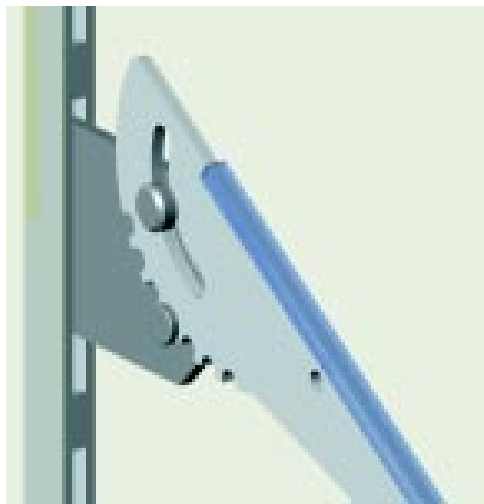
Pos.	Descr.	Lungh. length	Dim Size	Codice code	Qty/scatola qnt/box
1	Mensola regolabile per ripiani in vetro NX-812 Adjustable bracket for glass shelves  	200 207	29 00 078 110	10	
		* 250 257	29 00 078 111	10	
		* 300 307	29 00 078 112	10	
		350 357	29 00 078 113	10	
1	Mensola regolabile per ripiani in vetro NX-822 Adjustable bracket for glass shelves  	200 207	29 00 078 210	10	
		* 250 257	29 00 078 211	10	
		* 300 307	29 00 078 212	10	
		350 357	29 00 078 213	10	
1	Mensola regolabile per appendieria NX-842 Adjustable bracket for hangers  	200 207	29 00 078 410	10	
		* 250 257	29 00 078 411	10	
		* 300 307	29 00 078 412	10	
		350 357	29 00 078 413	10	

* disponibile a magazzino
available in the warehouse

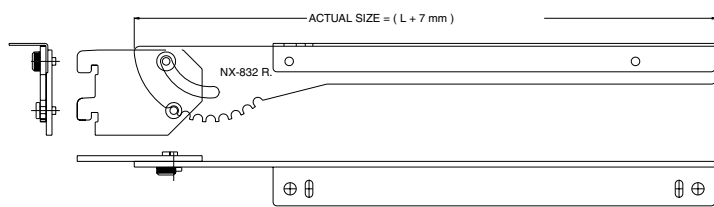




LM1001-FNX812ASS

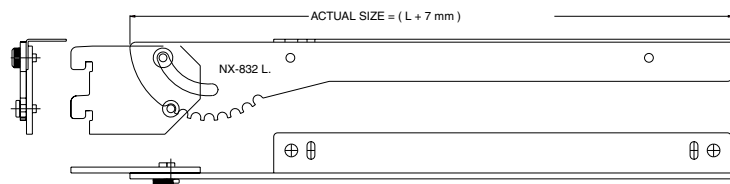


Pos.	Descr.	Lung. length	Dim. size	Codice code	Qty/scatola qnt/box
1	Mensola regolabile destra per ripiani in legno NX-832R Adjustable right bracket for wooden shelves	200	207	29 00 D78 310	10
		* 250	257	29 00 D78 311	10
		* 300	307	29 00 D78 312	10
		350	357	29 00 D78 313	10



LM1001-FNX832R

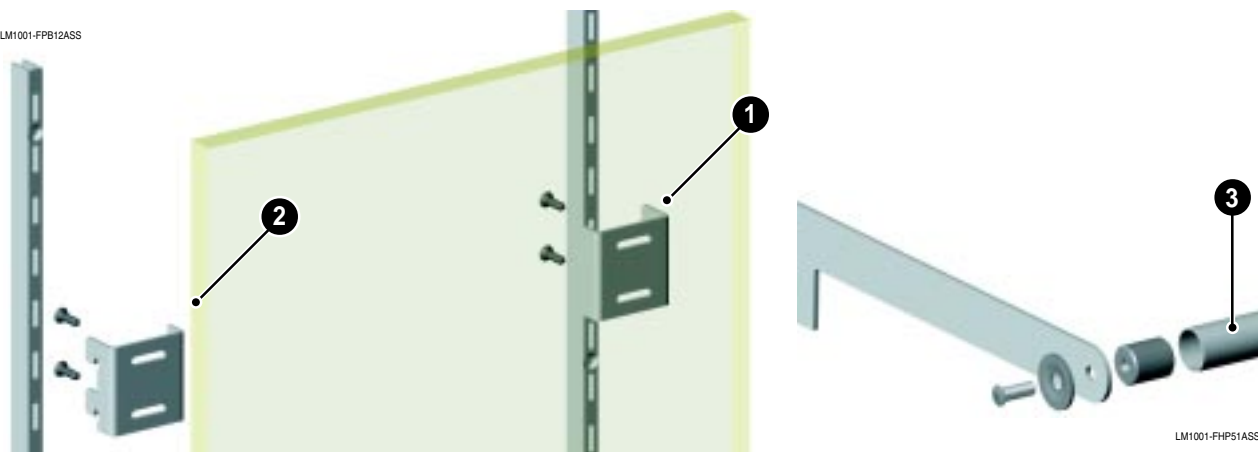
1	Mensola regolabile sinistra per ripiani in legno NX-832L Adjustable left bracket for wooden shelves	200	207	29 00 S78 310	10
		* 250	257	29 00 S78 311	10
		* 300	307	29 00 S78 312	10
		350	357	29 00 S78 313	10



LM1001-FNX832L

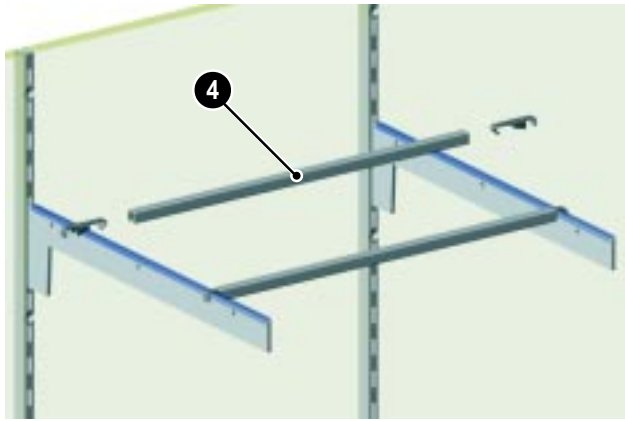
* disponibile a magazzino
available in the warehouse

LM1001-FPB12ASS

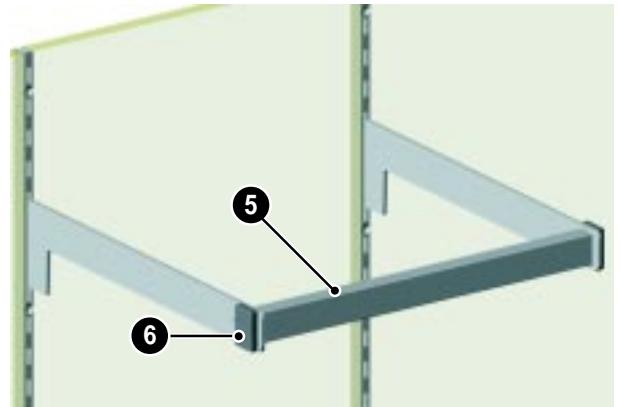


LM1001-FHP51ASS

Pos.	Descr.	Lungh. length	Dim Size	Codice code	Qnt/scatola qnt/box
1	Mensola destra per pannelli Right bracket for panels	200	207	29 00 D79 920	10
2	Mensola sinistra per pannelli Left bracket for panels	200	207	29 00 S79 920	10
3	Tubo rotondo ø 25mm Round tube ø 25mm			29 00 079 110	5
				29 00 079 111	5
				29 00 079 112	5
				29 00 079 113	5
				29 00 079 114	5
....	Tappo per tubo rotondo ø25 mm Cup for round tube ø 25mm			29 00 079 120	50

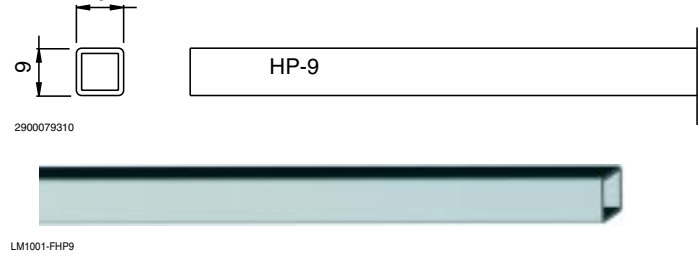


LM1001-FHP9ASS



Pos.	Descr.	Lungh. length	Dim. size	Codice code	Qnt/scatola qnt/box
------	--------	---------------	-----------	-------------	---------------------

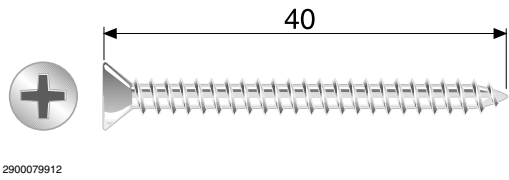
4	Tubo rettangolare 9x9 PB-12R Rectangular tube 9x9	896	904	29 00 079 310	10
		1200	1208	29 00 079 311	10



LM1001-FHP9

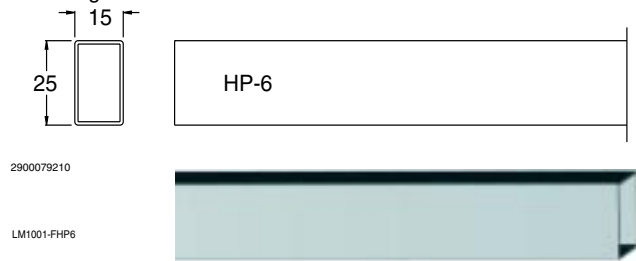


...	Vite standard Standard screw	* 40		29 00 079 912	100
-----	--	------	--	----------------------	-----



2900079912

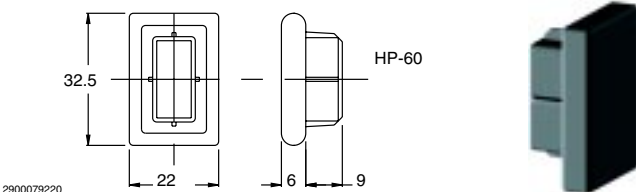
5	Tubo rettangolare 15x25mm HP-6 Rectangular tube 15x25mm	1000		29 00 079 210	5
		1200		29 00 079 211	5
		1500		29 00 079 212	5
		1800		29 00 079 213	5
		2000		29 00 079 214	5



2900079210

LM1001-FHP6

6	Tappo per tubo rettangolare 15x25 HP-60 Cup for rectangular tube 15x25			29 00 079 220	50
---	---	--	--	----------------------	----



2900079220



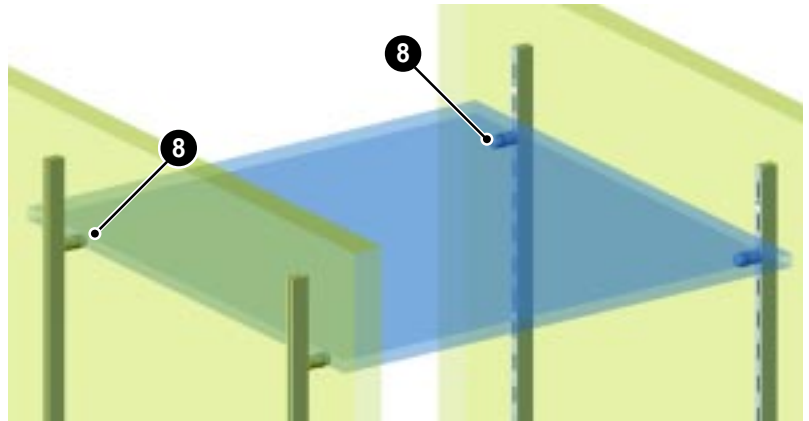
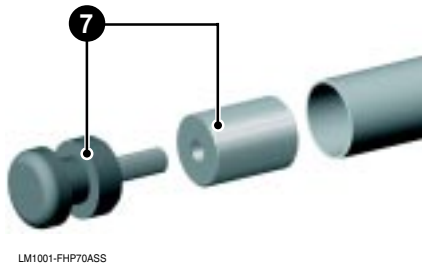
LM1001-FHP60A

* disponibile a magazzino
available in the warehouse

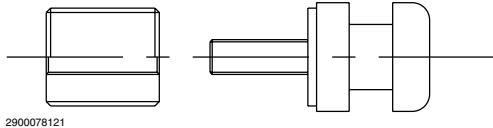


ACCESSORI PER SISTEMA A CREMAGLIERA VERTICALE PASSO 25mm

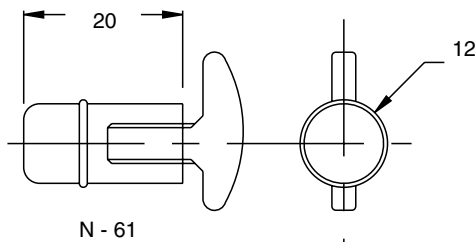
Accessories for vertical slotted track system, pitch 25 mm



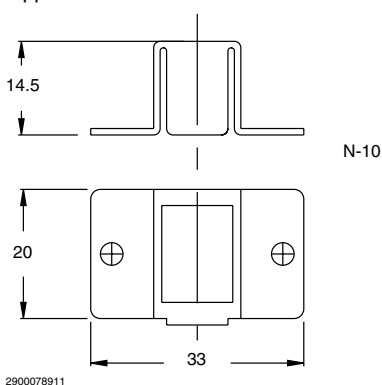
Pos.	Descr.		Lungh. length	Dim Size	Codice code	Qty/scatola qnt/box
7	Tappo per tubo rotondo ø 25 mm Cup for round tube ø 25mm	HP-70	896	904	29 00 079 121	10



8	Supporto per ripiano in vetro Support for glass shelf	N-61	20	24	29 00 079 910	50
----------	---	-------------	----	----	---------------	----

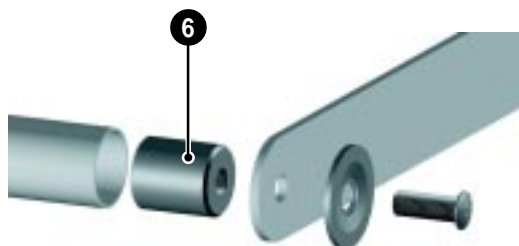


...	Supporto per cremagliera Support for slotted track	N-10	20	20	29 00 079 911	50
------------	--	-------------	----	----	---------------	----



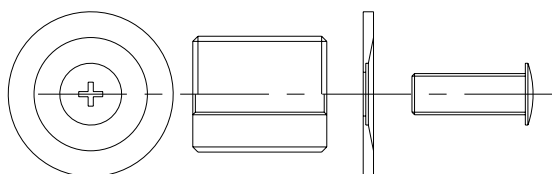
* disponibile a magazzino
available in the warehouse





LM1001-FHP51A

Pos.	Descr.		Codice code	Qnt/scatola qnt/box
6	Tappo di chiusura per tubo rotondo ø25mm Closing cup for round tube diam.25mm	HP-51	29 00 079 122	10



2900078122

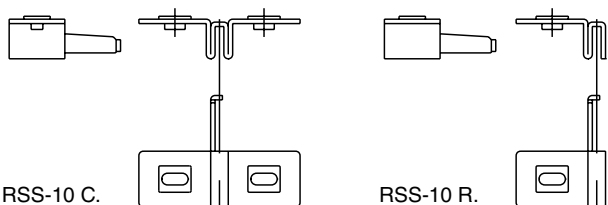
HP-51



LM1001-FHP51

LM1001-FH51A

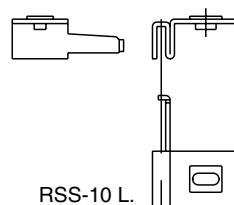
1	Supporto legno-vetro Wood-Glass support	RSS-10	Destro Right 29 00 D79 930	10
			Sinistro Left 29 00 S79 930	
			Centrale Central 29 00 079 932	



RSS-10 C.

RSS-10 R.

2900079930



RSS-10 L.



LM1001-FRSS10



LM1001-FRSS10A