



SLIDING SYSTEM FOR FOLDED DOOR

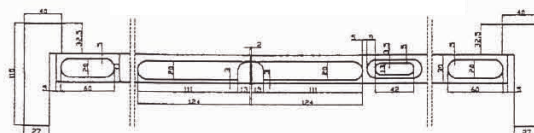
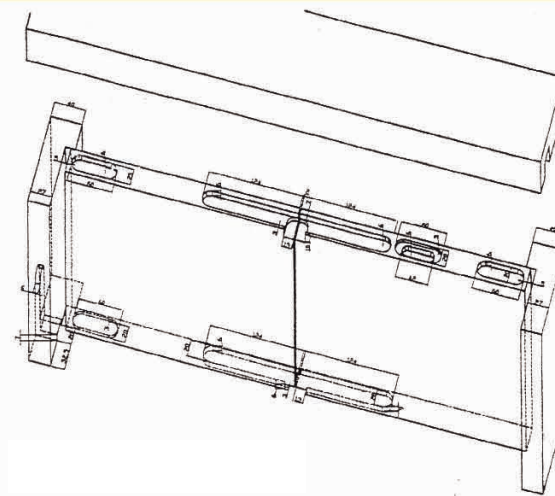


SLIDING SYSTEM FOR FOLDED DOOR COMPOSED BY:
1 SLIDING CARRIAGE, 4 NYLON WHEELS, 2 COMPASS HINGES,
1 SPRING CLIP, 1 SUPERIOR CATCH,
1 LOWER TURNING LINKAGE.

ACCESSORIES TO COMBINE WITH THE ALUMINIUM PROFILES SLIDING SYSTEM

● **COD. 3030002010**

SLIDING SYSTEM FOR FOLDED DOOR



MÜLLER FISSAGGIO s.a.s.

Via delle Robinie, 31 - Zona Industriale - 06083 BASTIA UMBRA - (PG/ITALY) - Tel. 075.8004059 - 075.8010841 - Fax 075.8010846 - 075.8014035
www.mullerfissaggio.com - muller@mullerfissaggio.com